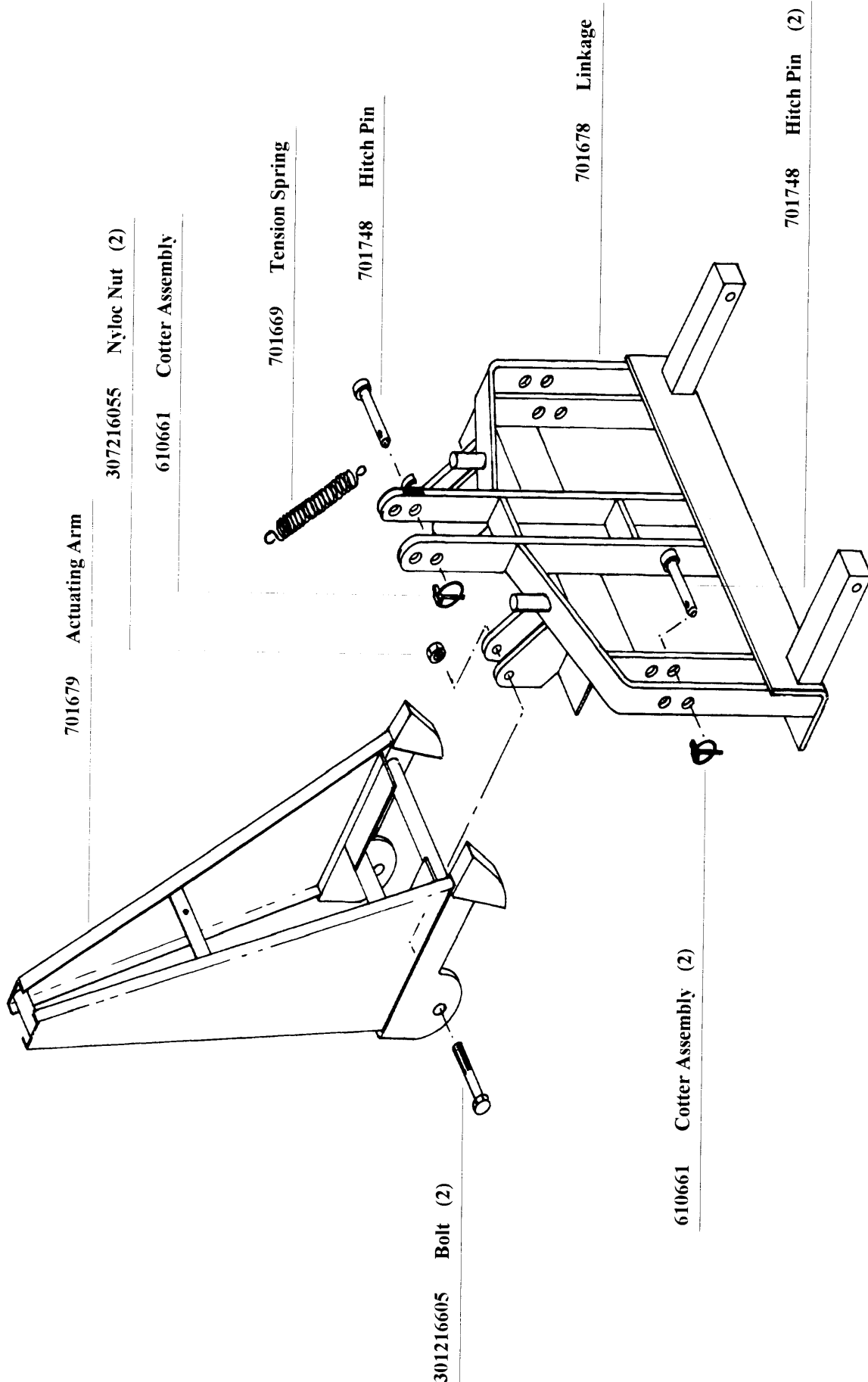


BUCKET HMB210
Linkage & Actuating Arm


701679 Actuating Arm

307216055 Nyloc Nut (2)

610661 Cotter Assembly

701669 Tension Spring

701748 Hitch Pin

301216605 Bolt (2)

701678 Linkage

610661 Cotter Assembly (2)

701748 Hitch Pin (2)